



DC LINE SURGE DIVERTER

DSD series DC line surge diverter can protect any DC power systems such as photovoltaic (PV) power or other DC power supply systems used in industrial, commercial environments in medium to high exposure areas.

- ◆ All mode protection
- ◆ Highest safety standard design
- ◆ Exceptional high surge handling capability up to 140KA per line
- ◆ Staged LED status indication
- ◆ Remote monitoring
- ◆ Redundant protection segments
- ◆ Remote Monitoring Panel



All mode protection-LEPS DSD series surge diverters provides state-of-the-art protection for any DC power supply systems by rapidly diverts excess transient surges to ground that exist between positive to ground, negative to ground, away from your sensitive equipment.

Highest safety standard design -It has been engineered to the industry's safest criteria for full compliance with ULI1449 Edition2 by using a specially designed metallic enclosure. Also with its patented thermal and short circuit fusing included, it ensures safe isolation during sustained abnormal over-voltage events and component failure.

Exceptional high surge handling capability up to 140KA per line -

Its 100KA to 280KA unit total unparalleled surge handling capability makes DSD series protector the ultimate choice for total facility protection.

Staged LED status indication -All models have two LED indicators per line to monitor the integrity of protection. This pre-failure warning indication

design means you will never be unprotected.

Remote monitoring -All models features voltage free contacts with normal open/normal close contacts which change state to indicate a fault. It can be interfacing with intelligent building management systems for remote indication.

Redundant protection segments - Each phase employs two independent fused and thermal overload protection elements to provide back-up protection for continued equipment survival despite a fault condition. This means that in the event of a fault situation, you are never left unprotected.

Remote Monitoring Panel (RMP) - Apart from the built-in LED status indication and voltage free change over alarm, an Remote Monitoring Panel interface is available and can be connected to a RMP for both visual and audible alarm at remote location from the protector.

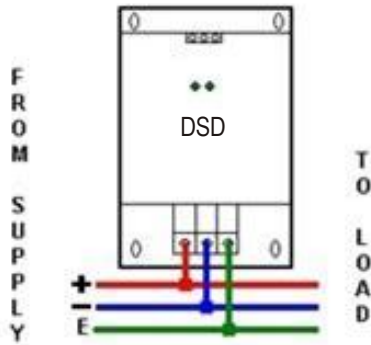




SPECIFICATIONS AND DRAWINGS

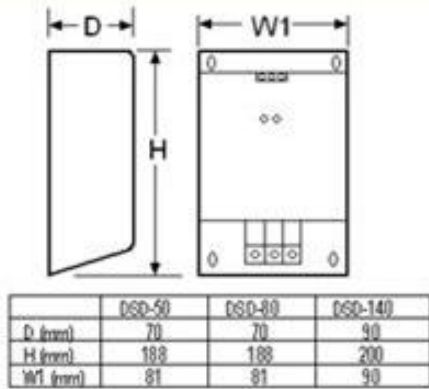
Installation

The diverters are connected in parallel with the protected system(load) as illustrated below:



For detail installation requirements, pls refer to relevant user manual.

Dimensions



Ordering Information

MODEL	MAX. WORKING VOLTAGE (DC)	CLAMPING VOLTAGE (DC)	DESCRIPTION
DSD-50I	110V	250V	DC power system surge diverter, 50KA
DSD-50J	22 0V	455V	
DSD-50K	33 0V	710V	
DSD-50L	500V	1025V	
DSD-50M	6 00V	1240V	
DSD-50H	8 00V	1650V	
DSD-50U	1000V	1980V	
DSD-8 0I	110V	250V	DC power system surge diverter, 80KA
DSD-80J	22 0V	455V	
DSD-80K	33 0V	710V	
DSD-8 0L	500V	1025V	
DSD-80M	6 00V	1240V	
DSD-80H	8 00V	1650V	
DSD-8 0U	1000V	1980V	
DSD-14 0I	110V	250V	DC power system surge diverter, 140KA
DSD-140J	22 0V	455V	
DSD-140K	33 0V	710V	
DSD-14 0L	500V	1025V	
DSD-140M	6 00V	1240V	
DSD-140H	8 00V	1650V	
DSD-14 0U	1000V	1980V	

Notes:

- (1) Other surge rating, e.g. 40KA, 60KA, 100KA, 120KA, 160KA are available on requested.
- (2) Other voltages are available on requested.

LEPS Technologies Ltd.
<http://www.lepstech.com>
 Email: sales@lepstech.com

General Specifications

Max. Surge rating per line:
 DSD-50x 50KA(8/20μs)(100KA unit total)
 DSD-80x 80KA(8/20μs)(160KA unit total)
 DSD-140x 140KA(8/20μs)(280KA unit total)

Earth leakage current: 10μA

Protection mode: Transverse and common

Response time: <5ns

Standards compliance: BS6651-1999 cat.A.B.C
 AS1768-2003 cat.A.B.C
 IEEE C62.41 cat.A.B.C
 CP33-1999 cat.A.B.C
 IEC 1000-4-5 1995
 UL1449 second edition

Alarm isolation: 4KV

Status indicator: LED (Green=OK)

Optional remote alarm: Siren sound ,OK and FAIL LED

Alarm(volt free contact): N/O ,N/C(2A@ 250Vac)

Alarm conductor size: 2.5mm²

Conductor size: 16mm²

Operating temperature: -40-85°C

Humidity: 0-95%(R.H.)

Mounting: 35mm DIN rail (DIN 43880) or panel screw mount

Enclosure material: Galvanized steel alloy

Weight:
 DSD-50x 780g
 DSD-80x 850g
 DSD-140x 1.33kg

Local Distributor :

