

MAINS SURGE FILTER

Unsurpassed performance in surges and transients filtering ensures a clean, filtered supply of electricity is provided to all the equipments connected at the output

- ◆ All mode protection
- ◆ Highest safety standard design
- ◆ Multi-stage protection for surges suppression and filtering
- ◆ Exceptional high surge handling capability
- ◆ Redundant protection and staged LED status indication
- ◆ Remote monitoring



All mode protection-MSF series surge filters provides unsurpassed surges and transients filtering for main or branch panels as well as critical

loads used in medium to high exposure areas. It offers all mode(L-N, L-E and N-E) and repeated protection in lightning intense environment.

Highest safety standard design -It has been engineered to the industry's safest criteria for full compliance with UL1449 Edition2 by using a specially designed metallic enclosure. Also with its patented thermal and short circuit fusing included, it ensures safe isolation during sustained abnormal over-voltage events and component failure. A MCB is also included to ensure safety isolation under overloaded condition.

Multi-stage protection for surges suppression and filtering -No single technology can provide overall protection, so MSF surge filter utilize multi-stage design. The first stage rapidly diverts excess transient surges to ground. The second stage uses low pass filter to discriminate the noise, harmonics and remaining surges from the normal supply. The third stage ensures the impulses generated by

the connected load will not return to the supply

Exceptional high surge handling capability up to 140KA per line -

Its 200KA to 560KA unit total unparalleled surge handling capability makes MSF series protector the ultimate choice for total facility protection.

Redundant protection and staged LED status indication -Each phase employs two redundant and independent fused and thermal overload protection elements to provide back-up protection for continued equipment survival. There are two LED indicators per phase to monitor the integrity of the protection. This pre-failure warning indication design means you will never be unprotected.

Remote monitoring -All models features voltage free contacts with normal open/normal close contacts which change state to indicate a fault. An optional Remote Monitoring Panel can also be chosen which offers both visual and audible alarm at remote location from the protector.

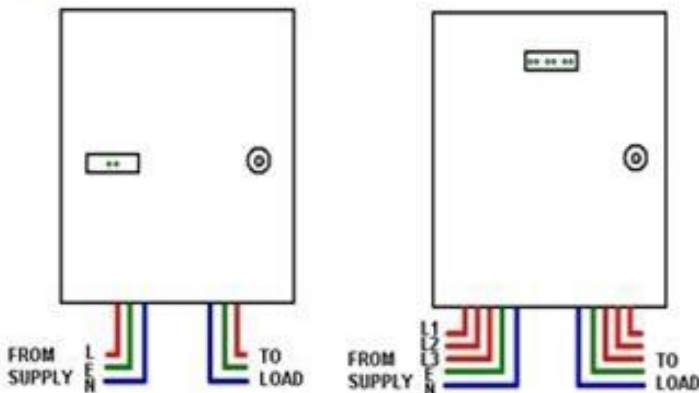




SPECIFICATIONS AND DRAWINGS

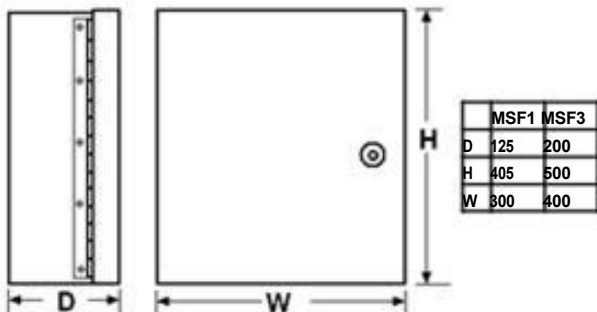
Installation

The filters are connected in series with the protected system(load) as illustrated below:



For detail installation requirements, pls refer to relevant user manual.

Dimensions



Ordering Information

MODEL	DESCRIPTION	WEIGHT
MSF140-50M	1 Ph, 40A, 50KA,surge Filter	9.1kg
MSF140-80M	1 Ph, 40A, 80KA,surge Filter	9.2kg
MSF140-140M	1 Ph, 40A, 140KA,surge Filter	9.6kg
MSF163-50M	1 Ph, 63A, 50KA,surge Filter	9.5kg
MSF163-80M	1 Ph, 63A, 80KA,surge Filter	9.6kg
MSF163-140M	1 Ph, 63A, 140KA,surge Filter	10.1kg
MSF180-50M	1 Ph, 80A, 50KA,surge Filter	9.5kg
MSF180-80M	1 Ph, 80A, 80KA,surge Filter	9.6kg
MSF180-140M	1 Ph, 80A, 140KA,surge Filter	10.1kg
MSF1100-50M	1 Ph, 100A, 50KA,surge Filter	9.5kg
MSF1100-80M	1 Ph, 100A, 80KA,surge Filter	9.6kg
MSF1100-140M	1 Ph, 100A, 140KA,surge Filter	10.1kg
MSF1125-50M	1 Ph, 125A, 50KA,surge Filter	9.5kg
MSF1125-80M	1 Ph, 125A, 80KA,surge Filter	9.6kg
MSF1125-140M	1 Ph, 125A, 140KA,surge Filter	10.1kg
MSF340-50M	3 Ph, 40A, 50KA,surge Filter	21.1kg
MSF340-80M	3 Ph, 40A, 80KA,surge Filter	21.3kg
MSF340-140M	3 Ph, 40A, 140KA,surge Filter	22.2kg
MSF363-50M	3 Ph, 63A, 50KA,surge Filter	22.5kg
MSF363-80M	3 Ph, 63A, 80KA,surge Filter	22.7kg
MSF363-140M	3 Ph, 63A, 140KA,surge Filter	23.6kg
MSF380-50M	3 Ph, 80A, 50KA,surge Filter	22.5kg
MSF380-80M	3 Ph, 80A, 80KA,surge Filter	22.7kg
MSF380-140M	3 Ph, 80A, 140KA,surge Filter	23.6kg
MSF3100-50M	3 Ph, 100A, 50KA,surge Filter	22.5kg
MSF3100-80M	3 Ph, 100A, 80KA,surge Filter	22.7kg
MSF3100-140M	3 Ph, 100A, 140KA,surge Filter	23.6kg
MSF3125-50M	3 Ph, 125A, 50KA,surge Filter	22.5kg
MSF3125-80M	3 Ph, 125A, 80KA,surge Filter	22.7kg
MSF3125-140M	3 Ph, 125A, 140KA,surge Filter	23.6kg

Notes:

- (1) Other surge rating , e.g. 40KA , 60KA , 100KA , 120KA , 160KA and load current 32A, 50A are available on requested.
- (2) Optional surge counters and over -under voltage tripping device are available on requested.
- (3) The above models has an operating voltage of 180-280Vrms(1ph) , 300-480Vrms(3ph) . Other operating voltage ranges are available on requested.

LEPS Technologies Ltd.
<http://www.lepstech.com>
 Email: sales@lepstech.com

General Specifications

Nominal voltage:	220Vrms(1ph) , 380Vrms(3ph)
Operating voltage:	180-280Vrms(1ph) , 300-480Vrms(3ph)
Load current:	(40A -125A) see ordering information
Operating frequency:	40-60Hz
Connection type:	Series
Max. Surge rating per line:	Let 50KA to 140KA(8/20μs)
through voltage:	<380V for 3KA Cat B
Protection mode:	LN ,LE ,NE
Earth leakage current:	<1μA
Efficiency:	99%
Frequency response:	3dB (at 800Hz)
Response time:	<5ns
Standards compliance:	BS6651-1999 cat.A.B.C AS1768-2003 cat.A.B.C IEEE C62.41 cat.A.B.C CP33-1999 cat.A.B.C IEC 1000-4-5 1995 UL1449 second edition

EMC compliance: BS EN 60950: 1992
 BS EN 61000: 1999

Alarm isolation:	4KV
Status indicator:	LED (Green=OK)
Optional remote alarms:	Siren sound,OK and FAIL LED
Alarm(volt free contact):	N/O ,N/C(2A@ 250Vac)
Alarm conductor size:	2.5mm ²
Conductor size:	35mm ²
Mounting:	Back panel screw mount
Enclosure material:	Galvanized steel alloy
Enclosure IP rating:	IP55
Operating temperature:	-40-85°C
Humidity:	0-95%(R.H.)
Weight:	See ordering information

Local Distributor:

